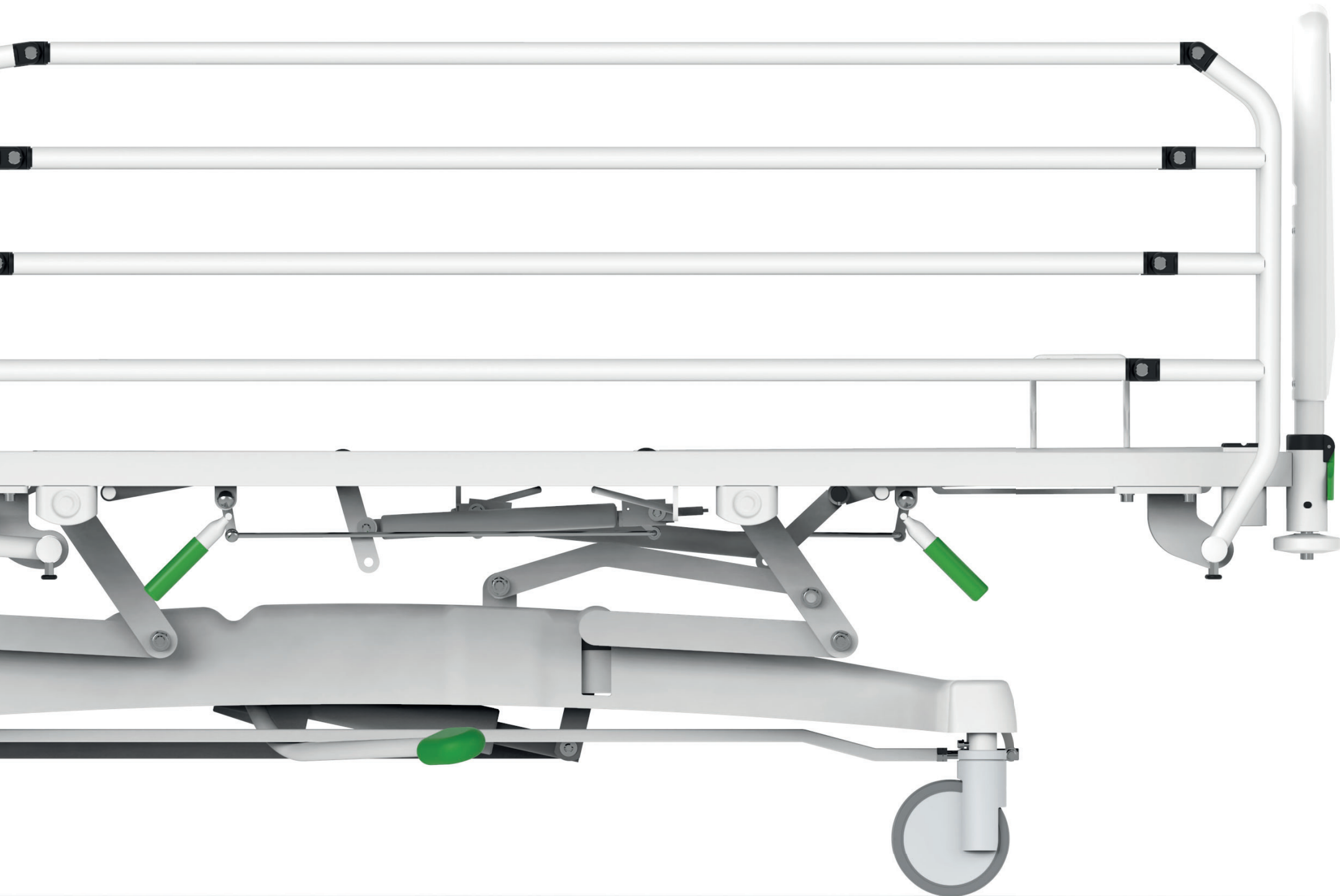




SUPERTA H

Bed for standard and above-standard hospital care



SUPERTA H

Bed for standard and above-standard hospital care

SUPERTA H beds, like all our beds, excel in professional workmanship down to the last detail.

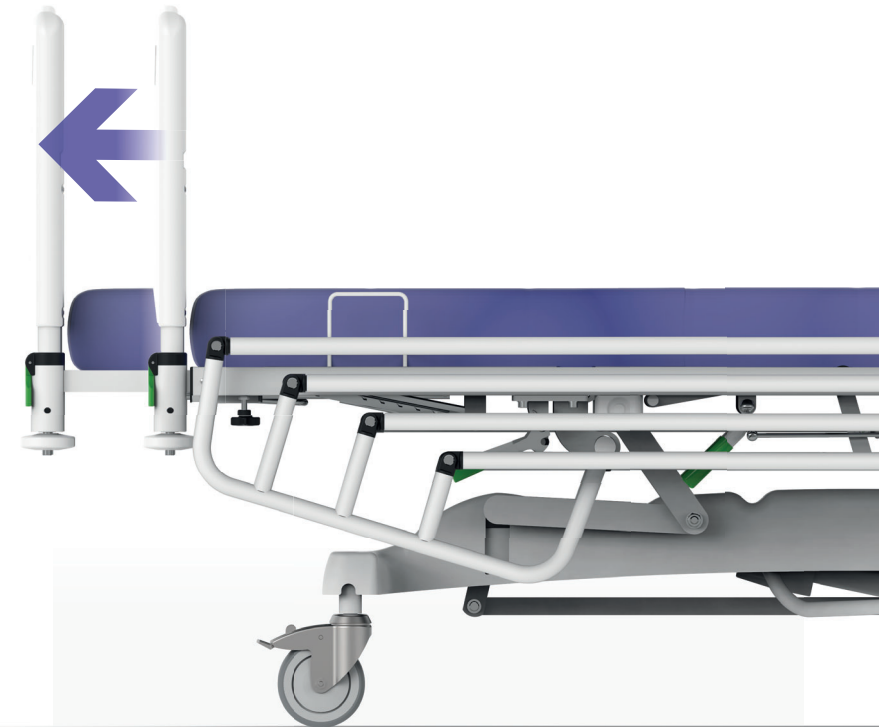
The main advantage of these beds is above all its independence from electricity. SUPERTA H beds offer a wide range of options and modifications, which allows the bed to be produced according to the customer's needs.





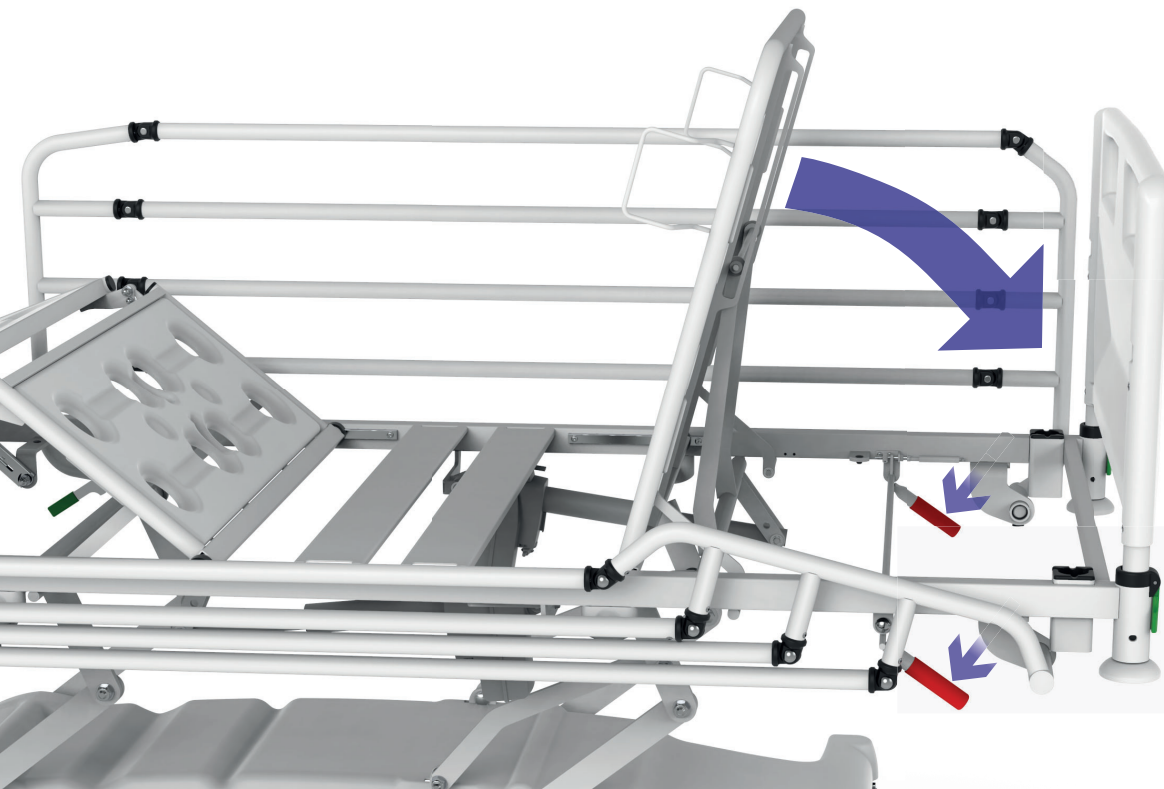
Increased load capacity

The solid and stable construction with a safe operating load of up to 250 kg provides safe support even when caring for patients with higher weight. Thanks to the materials and technologies used, extremely high durability is ensured even under repeated increased loads.



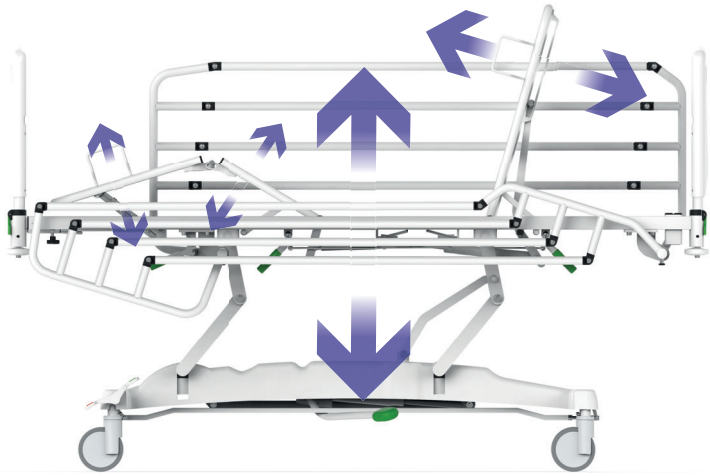
Extension of the mattress platform

Extending the mattress platform increases comfort even for taller patients and makes it easier for staff to handle the patient.



CPR

This function ensures safe and quick half-folding of the back of the bed to a horizontal position for immediate cardiopulmonary resuscitation.

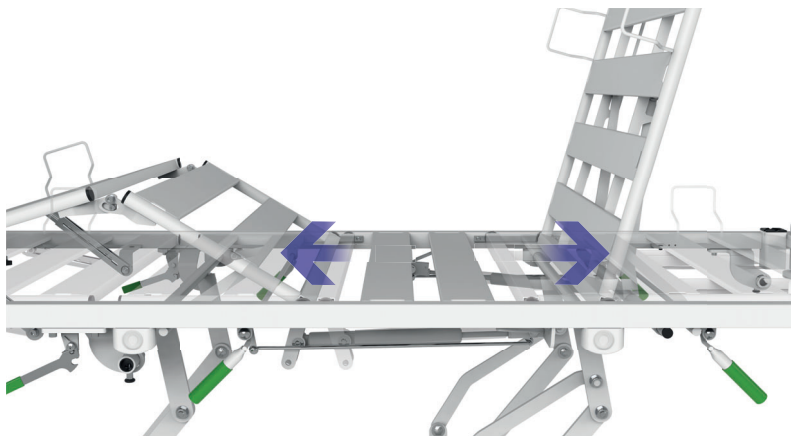


Comfortable positioning

Mechanical positioning of the back, thigh and calf combined with hydraulic lifting of the mattress platform allows a wide range of bed adjustments.

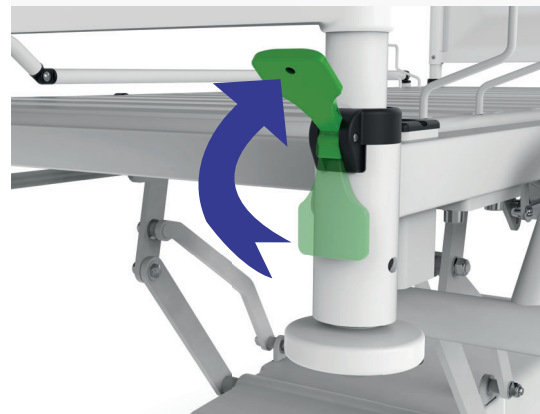
Double autoregression

Brings greater comfort to patients, reduces abdominal pressures and reduces the risk of decubitus.



Quick access to the patient

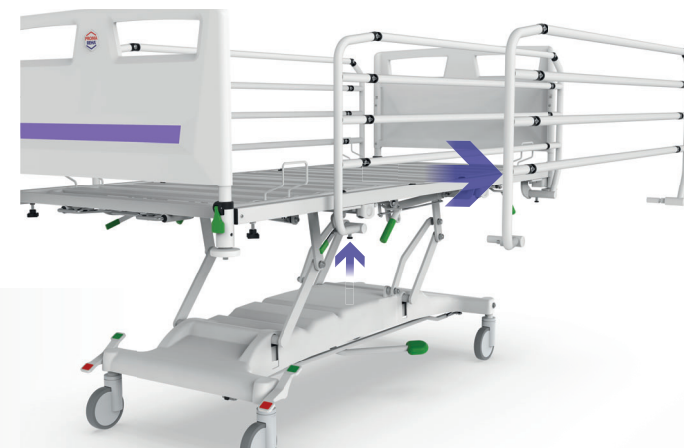
RRS (Rapid Remove System) head and foot board removal significantly speeds up patient access at critical moments.





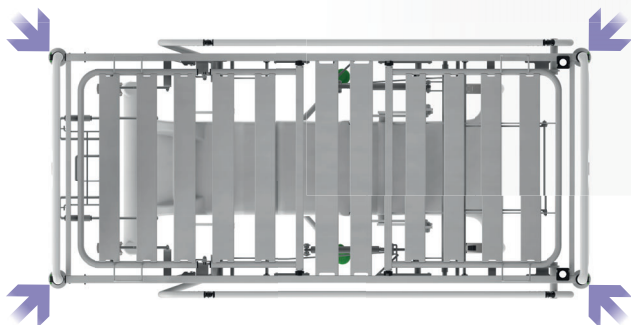
Central brake

Easy operation with foot pedals accessible from both sides of the bed allows instant braking. Thanks to the possibility of locking the wheel in a straight direction, the bed can be easily operated by only one person during transport.



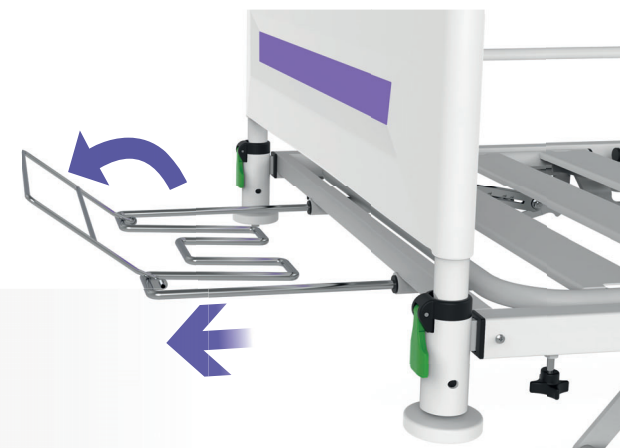
Removable siderails

Removable folding side rails ensure patient safety at the bedside.



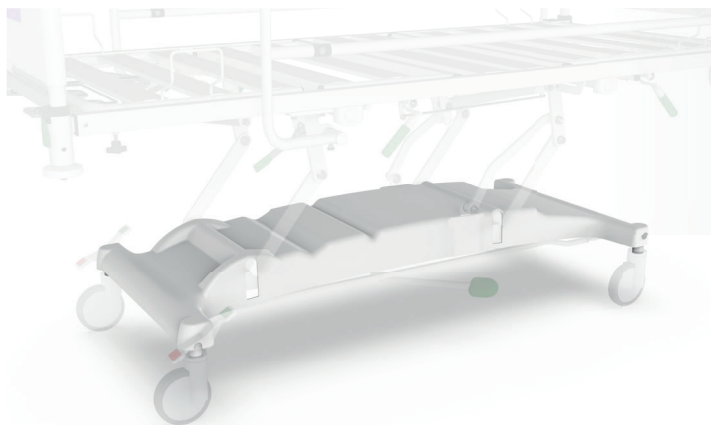
Bumper wheels

The bumper wheels located at the four corners of the bed are a great help especially during transport.



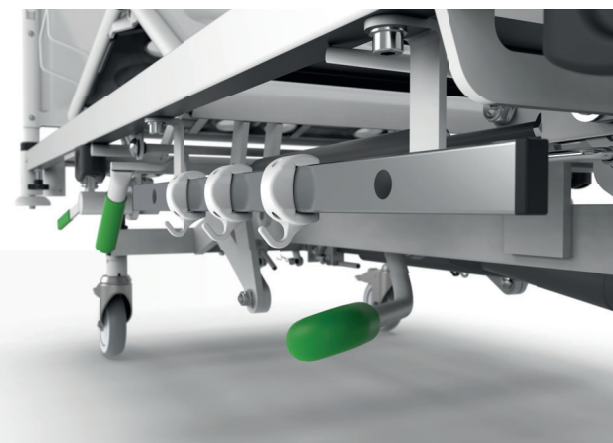
Bed linen shelf

The bed linen shelf putting away bedding is a great helper when changing bed linen.



Plastic chassis cover

Facilitates and speeds up daily cleaning of the bed. Protects the mechanisms and electrical circuits in the chassis, thus extending the life and reliability of the bed.

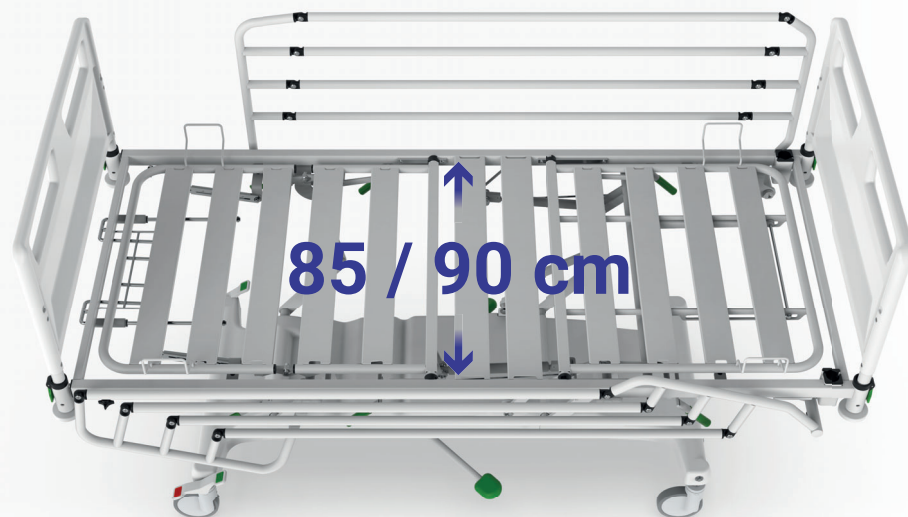


Horizontal accessories holder

The standardised stainless steel euro rail for hanging accessories is equipped with three universal plastic hooks on both sides of the bed.

Width of the mattress platform

The choice of bed width offers the customer the opportunity to choose a variant that fully suits the bed positioning and mobility requirements, while providing maximum comfort for the patient.



TENTE branded castors

All PROMA REHA beds are equipped with TENTE branded castors. For this bed, it is possible to configure plastic castors with central brake or metal, independently braked castors.



Technical parameters

Mattress platform (length x width)	200 x 85 (90) cm
Outer bed dimensions (length x width)	214 x 97 (102) cm
Mattress platform height	39,5 - 78,5 cm
Autoregression back part	12 cm
Autoregression thigh part	6 cm
Mattress platform extension	20 cm
Weight of the bed	125 kg
Safe operating load of the bed	250 kg
Maximum patient weight	215 kg
CPR back part	Yes
Application environment for bed use	2, 3
Mattress platform parts - metal slats	Yes (optional)
Mattress platform parts - removable plastic	Yes (optional)
Type of boards - metal with HPL	Yes (optional)
Type of boards - plastic	Yes (optional)
Type of siderails	Foldable metal siderails - 4 tubes
Max. angles of adjustable sections - back part	70°
Max. angles of adjustable sections - thigh part	40°
Max. angles of adjustable sections - calf part	25° (rastomat)

